



The Legacy Companies
3355 Enterprise Avenue, Suite 160, Fort Lauderdale, FL 33331
Sales: (954) 202-7419 • Sales@TheLegacyCompanies.com
Tech Service: (877) 368-2797 • Service@MaxxHelp.com

Project Name: _____
Location: _____
Item #: _____ Qty: _____
Model: _____

www.MaxximumFoodService.com

30" MODULAR ICE MAKERS

Model: MIM370N MIM500N MIM650N MIM1000N
 MIM370NH MIM500NH MIM650NH MIM1000NH

International Model: Add -50 (220V/50Hz/1Ph) or -60 (220V/60Hz/1Ph)



Shown on MIB430N Bin
Bin sold separately



N Models
Full Slab Cube
7/8" x 7/8" x 7/8"

NH Models
Half Slab Cube
7/8" x 7/8" x 3/8"

30" wide Maxx Ice air cooled modular ice makers will produce 300 to 1000 pounds of ice per day (under the right conditions) depending on the model. Stainless steel exterior construction provides durability to a unit that is low-maintenance and easy to clean. Vertical evaporator and proven ice making technology provide years of reliable ice production. These models can be stacked for even more ice production, if needed. Comes with a hinged front panel for easy servicing. New Solid state controls display ice maker status and alerts the operator when the machine requires servicing.

ICE PRODUCTION

Air Temp	Water Temp	MIM 370N	MIM 370NH	MIM 500N	MIM 500NH	MIM 650N	MIM 650NH	MIM 1000N	MIM 1000NH
70°F (21°C)	50°F (10°C)	373 lbs (169kg)	361 lbs (164kg)	521 lbs (236kg)	513 lbs (233kg)	650 lbs (295kg)	645 lbs (245kg)	937 lbs (425kg)	1005lbs (456kg)
90°F (32°C)	70°F (21°C)	288 lbs (131kg)	285 lbs (129kg)	381 lbs (173kg)	385 lbs (175kg)	539 lbs (245kg)	542 lbs (246kg)	771 lbs (350kg)	774 lbs (351kg)

Storage Bin is Not Included. Various Maxx Ice storage bins are available to suit individual needs (certain applications may require an adapter plate). Gravity Drain is Required

OPERATING REQUIREMENTS

Ambient Temp Range 45° to 99°F (7° to 37°C)
Water Temp Range 40° to 90°F (4° to 32°C)
Water Usage 100lbs (45.4kg) of Ice 13.12 Gallons (49.7 L)
Water Supply Line Connection 3/8" FPT
Water Pressure Range
Min PSI 15 Max PSI 80 (above 80 requires a regulator)
Min Bar 1.0 Max Bar 5.5
Energy Consumption kWh/100 lb (45.4 kg) 90°F(32°C) Air / 70°F(21°C) Water
MIM370N/NH 6.1 kWh/100 lb
MIM500N/NH: 4.9 kWh/100 lb
MIM650N/NH: 5.6 kWh/100 lb
MIM1000N/NH: 5.1 kWh/100 lb

FEATURES and CONSTRUCTION

- Exterior Material: Corrosion resistant stainless steel and plastic
- Air Cooled Compressor
- Automatic Cleaning Cycle
- Hinged panel for easy service
- New user-friendly controls
- Screen displays ice maker status
- Power for unit also illuminates LED light in storage bin (MIB430N)
- For more ice making production, ice makers are stackable. Must purchase optional adapter
- MIM370N/NH and MIM500N/NH come with a NEMA 5-15 Cord Set for plug-and-play operation

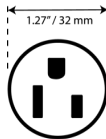
* Water Filter Recommended to provide a higher quality ice cube

REFRIGERANT

- CFC & HCFC free R-404A

STANDARD MODEL ELECTRIC SERVICE NEEDS

MIM370N/NH 115V/60Hz/1 Ph (NEMA 5-15P)
MIM500/NH 115V/60Hz/1 Ph (NEMA 5-15P)
MIM650/NH 230V/60Hz/1 Ph (Hard Wired)
MIM1000N/NH 230V/60Hz/1 Ph (Hard Wired)
(220V/50-60Hz/1ph available as an option)



NEMA 5-15P

For MIM370N/NH,
MIM500N/NH
Models



Certified to
ANSI NSF 012



Certified to
ANSI UL 563



DOE 2018
Compliant



Maxx Ice WARRANTY (USA / CANADA)

Three (3) years parts
Three (3) years on-site labor
Five (5) years compressor (part only)
Administered by The Legacy Companies, 877.368.2797

Due to periodic changes in designs, methods, procedures, policies and regulations, the specifications contained in this sheet are subject to change without notice. While we exercise good faith efforts to provide information that is accurate, we are not responsible for errors or omissions in information provided or conclusions reached as a result of using the specifications. By using the information provided, the user assumes all risks in connection with such use.



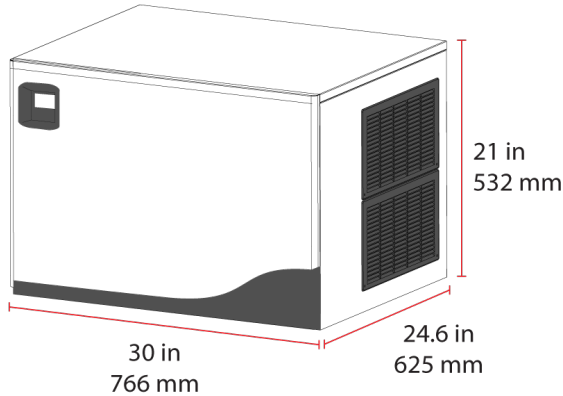
The Legacy Companies
 3355 Enterprise Avenue, Suite 160, Fort Lauderdale, FL 33331
 Sales: (954) 202-7419 • Sales@TheLegacyCompanies.com
 Tech Service: (877) 368-2797 • Service@MaxxHelp.com

Project Name: _____
 Location: _____
 Item #: _____ Qty: _____
 Model: _____

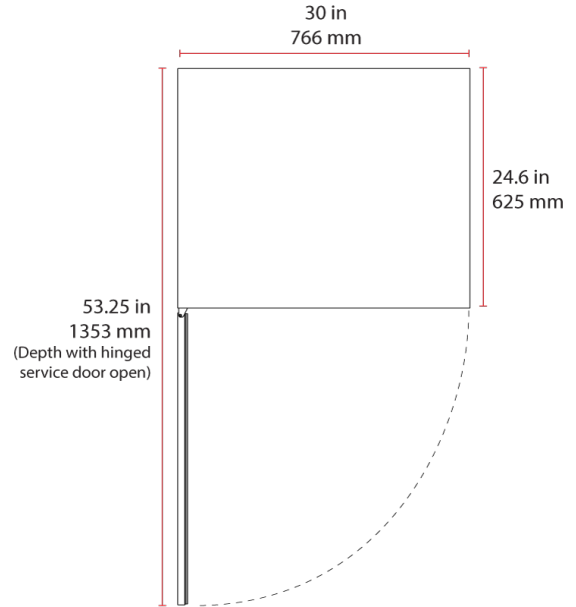
www.MaximumFoodService.com

MODULAR ICE MAKERS

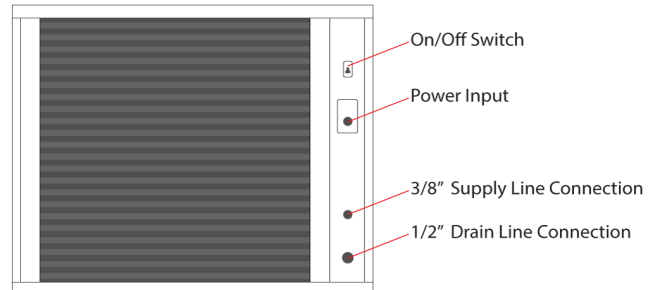
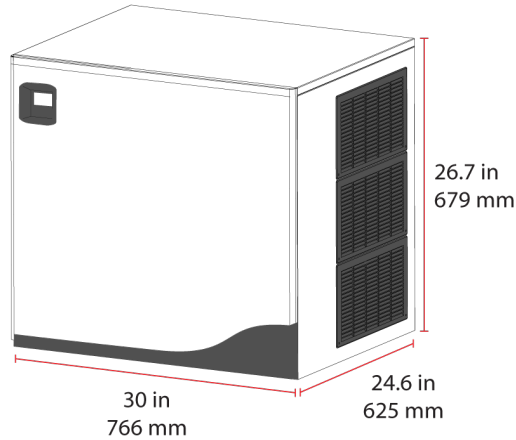
**MIM370N/NH, MIM500N/NH
 and MIM650N/NH**



Top & Back Views (All 30" Models)



MIM1000N/NH



Note:
 120v models (MIM370N/NH and MIM500N/NH) come with a NEMA 5-15 Cord Set.
 230v models (MIM650N/NH and MIM1000N/NH) are hard wired in the field.

	MIM370N/NH	MIM500N/NH	MIM650N/NH	MIM1000N/NH
In: External Dimensions W x D x H	30 x 24.6 x 21	30 x 24.6 x 21	30 x 24.6 x 21	30 x 24.6 x 26.7
mm: External Dimensions W x D x H	762 x 625 x 532	762 x 625 x 532	762 x 625 x 532	766 x 625 x 679
Peak (Maximum) Amp Draw	11.75 Amps at 120V	15.3 Amps at 120V	10 Amps at 220V	11.75 Amps at 220V
Average Amp Draw	7.32 Amps	7.78 Amps	5.47 Amps	7.11 Amps
Unit Weight	93 lbs (42 kg)	130 lbs (59 kg)	155 lbs (70 kg)	194 lbs (88 kg)
Shipping Weight	111.5 lbs (50.5 kg)	148 lbs (67 kg)	165 lbs (75 kg)	208 lbs (94 kg)
Finish	Stainless Steel / Black Trim	Stainless Steel / Black Trim	Stainless Steel / Black Trim	Stainless Steel / Black Trim

Installation must conform to applicable local codes and ordinances.
 Use of a qualified licensed technician is suggested.

Due to periodic changes in designs, methods, procedures, policies and regulations, the specifications contained in this sheet are subject to change without notice.
 While we exercise good faith efforts to provide information that is accurate, we are not responsible for errors or omissions in information provided or conclusions reached as a result of using the specifications.
 By using the information provided, the user assumes all risks in connection with such use.